



DC Voltage Transducer

DIN RAIL / PANEL MOUNT

The **CR5300** Series, DC Voltage Transducers and Transmitters, are designed to provide an output DC signal that is proportional to the input DC voltage. These devices are especially suited for applications with a current shunt to monitor DC current.



Regulatory Agencies

- Approved to UL3111-1, First Edition, Amendment 2
- Approved to CAN/CSA-C22.2, No. 1010.1-92
- Meets requirement of IEC 61010-1 and BS EN 61010-1

Applications

- Power Supply over/under sensing
- Battery chargers and systems
- Mobile applications
- Power sensing

Features

- Output isolated from input
- 0 - 5 Vdc or 4 - 20 mAdc outputs
- 35mm DIN rail or panel mount
- Connection diagram printed on case



CR5310

CR5320

Internet Resources <http://www.crmagnetics.com/>

Pricing: [pricing/5300.html](http://www.crmagnetics.com/pricing/5300.html)

Part Numbers

CR5310 - 0 - ± 5 Vdc Output
CR5320 - 4 - 20 mAdc Output

Add suffix for input range

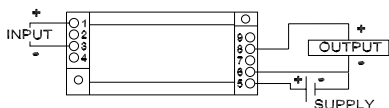
- .01** - 0-0.01 Vdc
- .05** - 0-0.05 Vdc
- .1** - 0-0.1 Vdc
- 1** - 0-1 Vdc
- 10** - 0-10 Vdc
- 50** - 0-50 Vdc
- 150** - 0-150 Vdc
- 200** - 0-200 Vdc

other ranges available

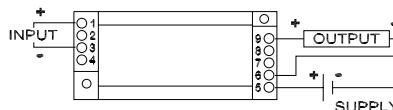
Specifications

Basic Accuracy:.....	0.5%	Insulation Voltage:....	2500 Vdc
Calibration:.....	RMS Calibrated	Supply Voltage:.....	24 Vdc ± 10%
Thermal Drift:.....	200 PPM/°C	Frequency Range:....	DC
Operating Temperature:.....	0°C to +60°C	Output Load:.....	0-5 Vdc - 2 K Ω or Greater
Installation Catagory:.....	CAT II		4-20 mAdc - 0 to 300 Ω
Polution Degree:.....	2	Cleaning:.....	Water-dampened cloth
Response Time:	250 ms	Relative Humidity:.....	80% for temperatures up to
Altitude:.....	2000 meter max.		31°C and decreasing linearly to 50% at 40°C
MTBF:.....	Greater than 100 K hours		

Connection Drawings



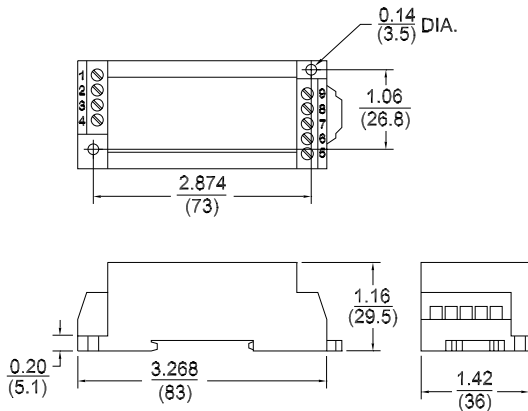
CR5310
0 - ±5 Vdc Output



CR5320
4 - 20 mAdc Output

Note: The building installation must have a switch or circuit-breaker that is in close proximity and within easy reach of the operator. The switch or circuit breaker shall be marked as the disconnecting device for the equipment.

Outline Drawing



inch (mm)